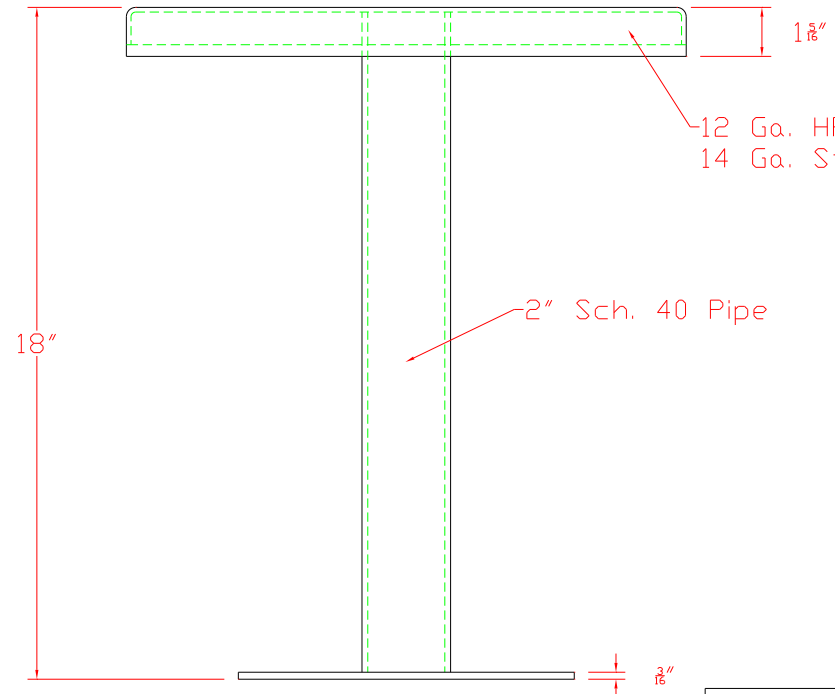


1/2" Dia. Hole - 4 Plc.



12 Ga. HRPO Drawn Inside  
14 Ga. Stainless Steel Top

2" Sch. 40 Pipe

MODERN DETENTION  
EQUIPMENT  
616 BURNS ST. \* CINCINNATI, OH 45204 \* (513) 251-3600

**Floor Mount Stool  
- 10"x15" Stainless Top**

DATE: 5/03      ST-1015

JOB INFORMATION:	MATERIAL:	Notes:	PROJECT SPECIFIC:
	304 SS Sch. 40 Pipe Sheet: HRPO		Mild - Prime Paint Stainless - #4 Fin.

THIS DRAWING IS THE EXCLUSIVE PROPERTY OF M&S MACHINE AND MANUFACTURING CO. AND USE OF THE INFORMATION CONTAINED HEREIN, NOR REPRODUCTION IN WHOLE OR IN PART MAY BE MADE WITHOUT OUR EXPRESSED WRITTEN PERMISSION. THIS DRAWING REMAINS THE PROPERTY OF M&S MACHINE AND MANUFACTURING CO. AND MUST BE RETURNED UPON DEMAND.